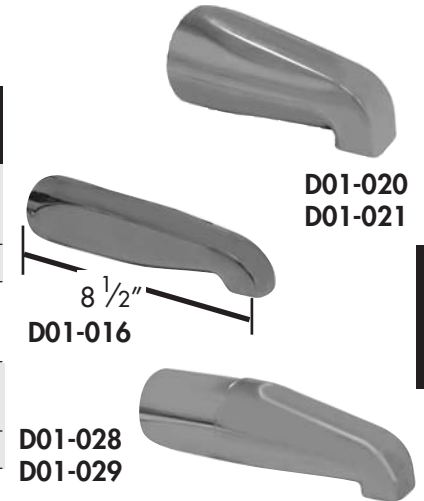


### TUB SPOUTS

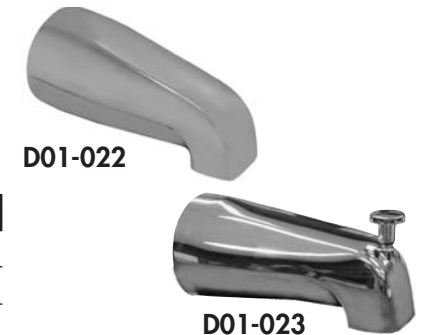
PART NO.	DESCRIPTION	CONNECTION	MATERIAL	CTN. QTY.
<b>CHROME PLATED ZAMACK SLIDE CONNECTION WITH HEX KEY</b>				
D01-020	1/2" FIP	Nose	CP zamack	10
D01-021	1/2" CTS slide connection	Base	CP zamack	10
<b>8 1/2" ONE PIECE CHROME PLATED BRASS</b>				
D01-016	3/4" x 1/2" FIP	Base	CP brass	1
<b>TWO PIECE CHROME PLATED</b>				
D01-028	8" two piece	Nose	Zamack	1
D01-029	10" two piece	Nose	Zamack	1



### TELESCOPING TUB SPOUTS

- 5 1/2" overall length
- Adjustment up to 1" to accommodate various rough-ins

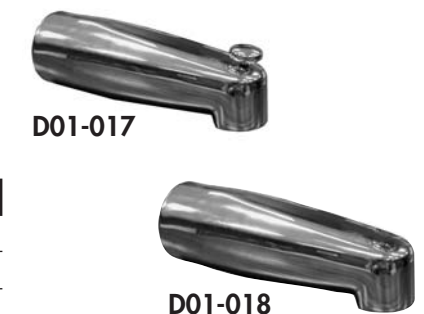
PART NO.	DESCRIPTION	CTN. QTY.
D01-022	1/2" x 3/4" tub spout	10
D01-023	1/2" x 3/4" diverter spout	10



### 9" CHROME PLATED TUB SPOUTS

- One piece design
- 1/2" nose connection
- Solid brass construction

PART NO.	DESCRIPTION	CTN. QTY.
D01-017	9" CP brass diverter spout	1
D01-018	9" CP brass tub spout	1



### 7" CHROME PLATED TUB SPOUT

- CTS unit comes with hex key
- Longer length for today's larger tubs

PART NO.	SIZE	CONNECTION	CTN. QTY.
D01-026	7"	1/2" FIP Nose	25
D01-027	7"	1/2" CTS Slide	25



### TUB SPOUT

- Solid brass

PART NO.	SIZE	CONNECTION	CTN. QTY.
D01-005	3/4" x 1/2"	Base	10

